

PUHZ-P200YHA
PUHZ-P250YHA
PUHZ-P200YHA3
PUHZ-P250YHA3

1 FREE SPACE (Around the unit)

The diagram below shows a basic example.
Explanation of particular details are given in the installation manuals etc.

2 SERVICE SPACE

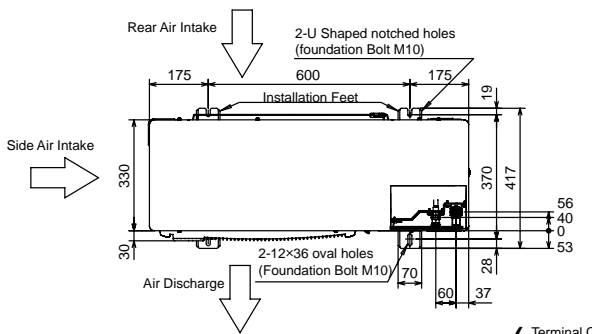
Dimensions of space needed for service access are shown in the below diagram.

3 FOUNDATION BOLTS

Please secure the unit firmly with 4 foundation (M10) bolts. (Bolts and washers must be purchased locally.)

4 PIPING-WIRING DIRECTIONS

Piping and wiring connections can be made from 4 directions: front, right, rear and below.

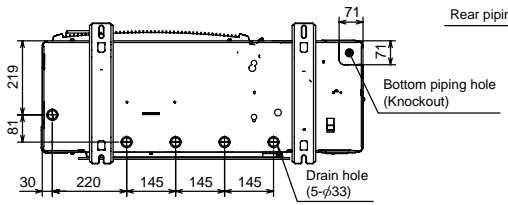
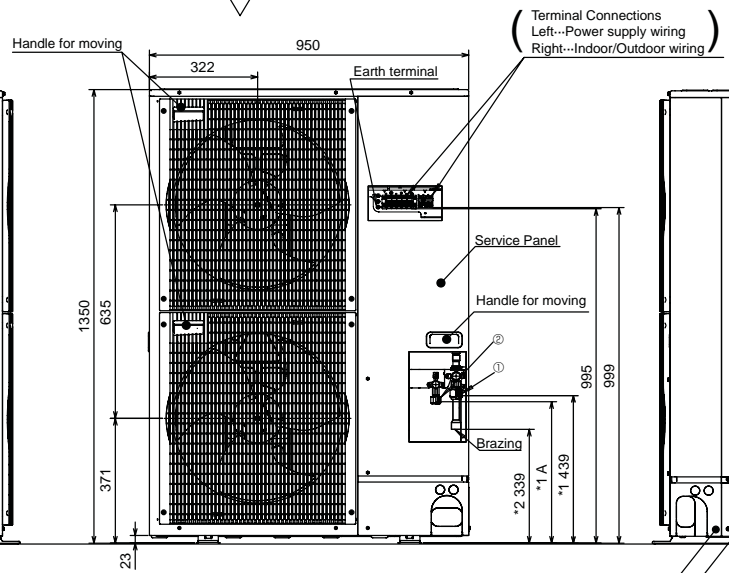
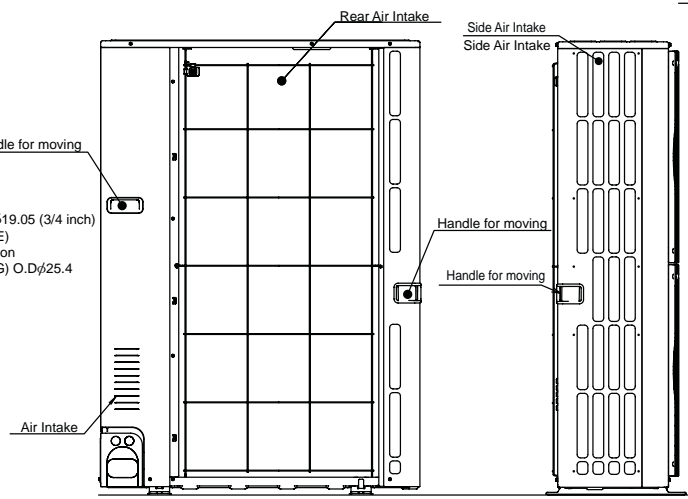
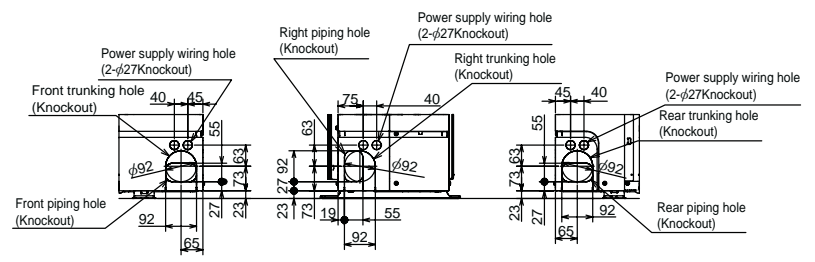


Example of Notes

- ① ...-Refrigerant GAS pipe connection (FLARE)φ19.05 (3/4 inch)
- ② ...-Refrigerant LIQUID pipe connection (FLARE)
- *1...-Indication of STOP VALVE connection location
- *2...-Refrigerant GAS PIPE connection(BRAZING) O.Dφ25.4

	②	A
PUHZ-P200YHA	φ9.52	447
PUHZ-P200YHA3	(3/8 inch)	
PUHZ-P250YHA	φ12.7	421
PUHZ-P250YHA3	(1/2 inch)	

Piping Knockout Hole Details



Unit : mm