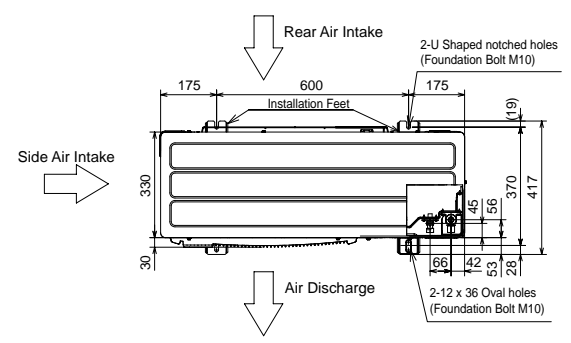
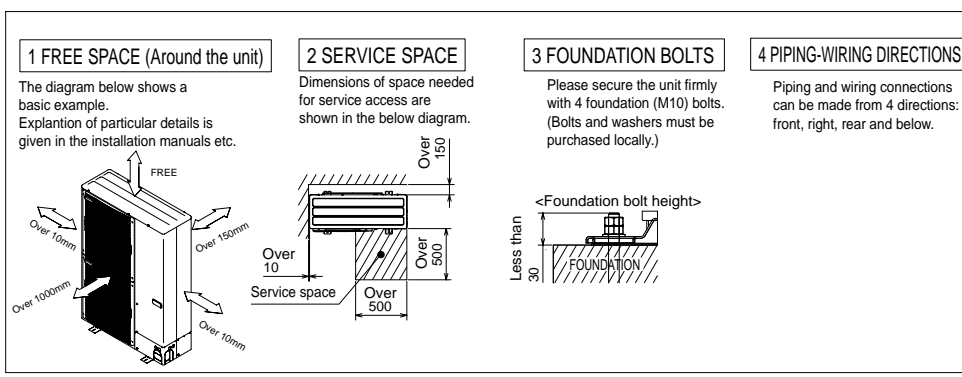
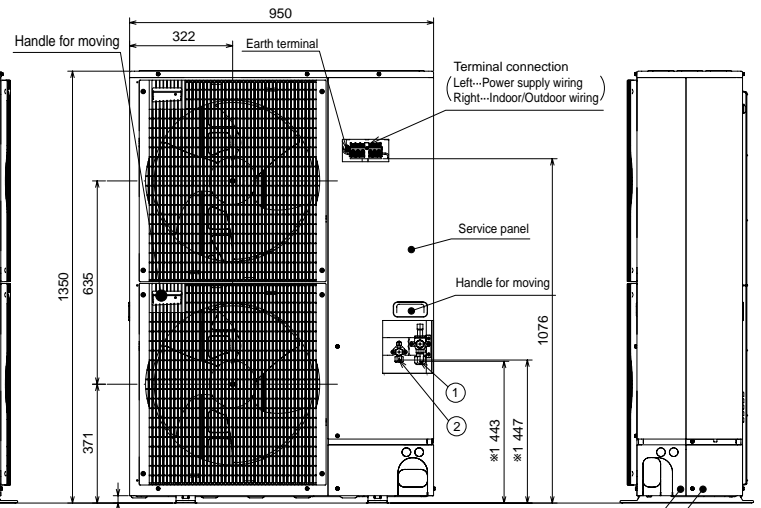
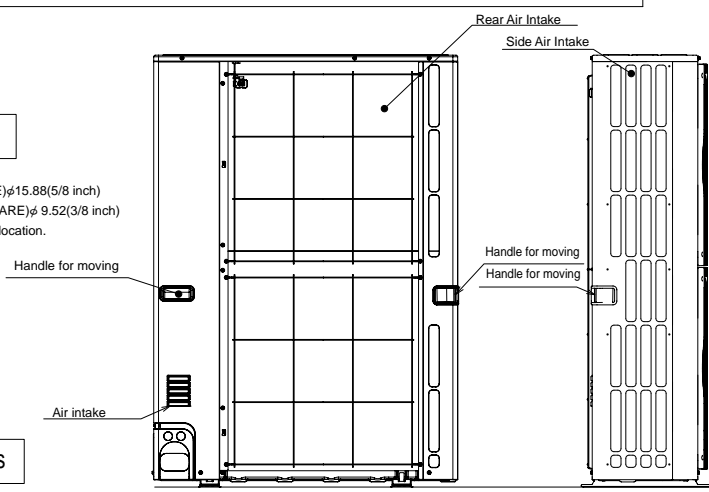


PUHZ-P125VHA2.UK
 PUHZ-P140VHA2.UK
 PUHZ-P125VHA2.1.UK
 PUHZ-P140VHA2.1.UK
 PUHZ-P125VHA3.UK
 PUHZ-P140VHA3.UK

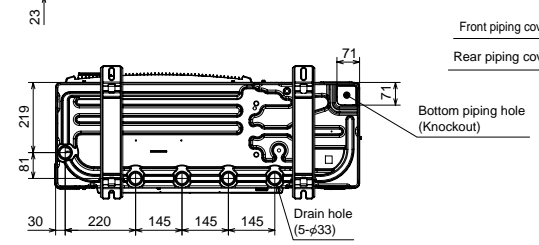
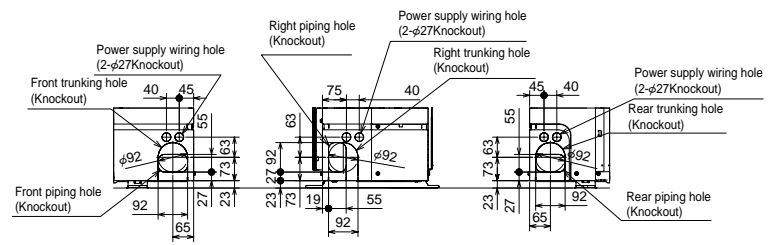


Example of Notes

- ①...Refrigerant GAS pipe connection (FLARE)φ15.88(5/8 inch)
- ②...Refrigerant LIQUID pipe connection (FLARE)φ 9.52(3/8 inch)
- *1 ...Indication of STOP VALVE connection location.



Piping Knockout Hole Details



Unit : mm(inch)