

TOTAL CONTROL WITH THE LIGHTEST TOUCH



...what a breath of fresh air

Simple, intuitive and discreet, the Nuaire LCD control - MRXBOX-VSC puts you in total control of your MVHR system. With a wide range of functions and settings, no other product gives you the freedom to tailor performance, whilst saving energy.

For more details call **029 2085 8500**
email enquiries@nuaire.co.uk
or visit www.nuaire.co.uk/residential

Touch Screen Controller for MVHR: MRXBOX-VSC

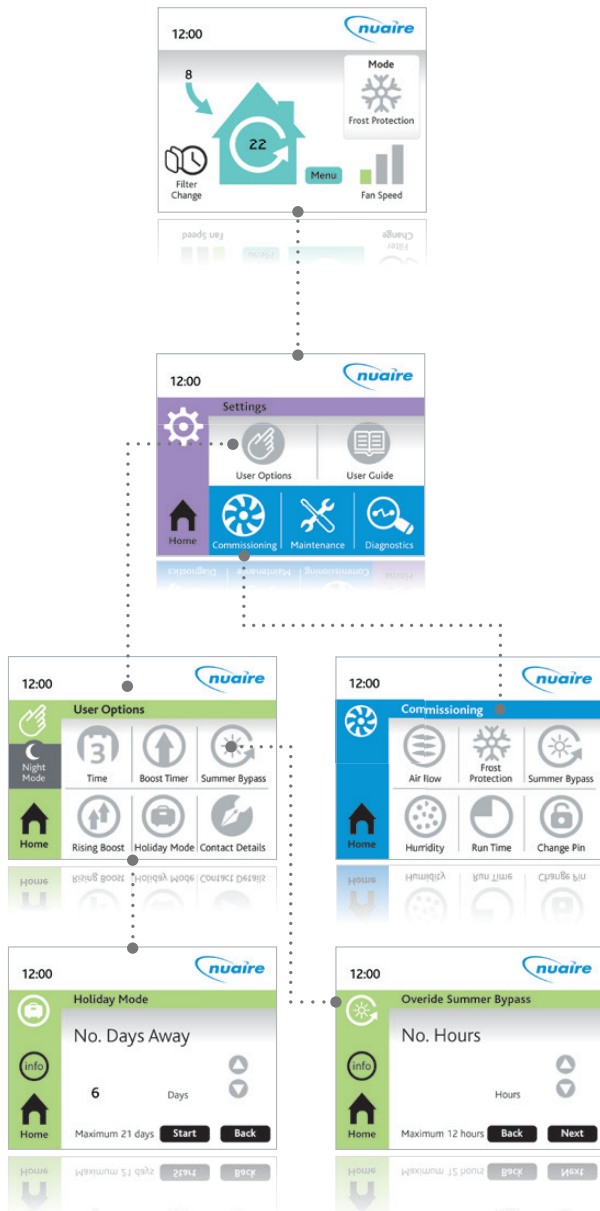
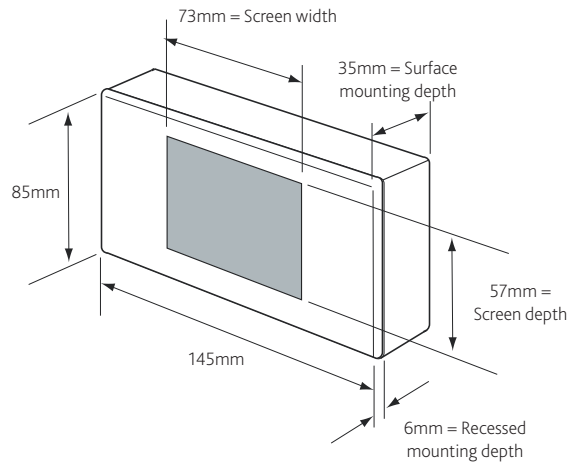
The stylish touch screen wired controller has been designed to make controlling your MVHR ventilation system simple, for both the installer and the end user.

With a 3.5" touch screen display, the unit can be surface or semi-recess mounted and is compatible with a standard 2 gang recess back box.

When installing the MVHR, you can commission the unit through the controller and program settings such as air flow, frost protection and summer bypass.

For the end user, they will be able to tailor the unit to suit their lifestyle, through setting a timed or rising boost, or even putting the unit into holiday or night mode to save on energy.

DIMENSIONS



FLEXIBLE
CONTROL
OPTION

Consultants Specification

MRXBOX-VSC (Visual System Controller)

The MRXBOX-VSC is compatible with the majority of Nuair MRXBOX95 heat recovery units, the controller comes complete with commissioning and end user functions.

The display will be a 3.5 inch LCD display and will remain on standby until such time the screen is touched.

The initial display will show the MVHR system status as listed below:

- Current Fan Speed.
- Current indoor/outside temperature.
- Indicate when the summer bypass is activated.
- Indicate when frost protection is activated.
- Indicate when the filters require cleaning/changing.

COMMISSIONING

Commissioning shall only be available through a PIN access that will be set up when the MRXBOX-VSC is first switched on.

Fan Speeds for both the supply and extract fan are set independently and are infinitely variable, the display will show the percentage of speed the fan is running at and will allow each fan to have 3 separate saved speed set points to allow the MVHR unit to run at background rate, boost rate and a further purge flow rate.

Summer Bypass can be set up via the MRXBOX-VSC. The controller will allow the temperature to be altered to suit installation requirement. This function is only available on the MRXBOX95AB range.

Humidity control shall be adjusted via the VSC from its default position to suit the environment and home owner lifestyle. This function is only available on the MRXBOX95AB range.

Frost protection temperature can be adjusted from the factory default if required using the MRXBOX-VSC.

Run on time can be adjusted from 0-60 minutes via the MRXBOX-VSC.

USER CONTROLS

The MRXBOX-VSC shall allow the home owner/occupier to carry out the following functions if desired.

- **Holiday Mode** – shall allow the owner/occupier to set the ventilation rate to a minimum flow rate to conserve additional energy while on holiday for up to 21 days (adjustable) after which time the MVHR system will return back to normal function.
- **Night Mode** – shall allow the owner/occupier to set the ventilation rate to a minimum at night if desired up to a maximum of 8 hours (adjustable) after which time the MVHR system will return back to normal function.
- **MVHR Boost** – shall allow the owner/occupier to boost the MVHR ventilation rate for a set time (adjustable) after which the ventilation system will return to is normal function. The MRXBOX-VSC shall allow the owner/occupier to adjust the rate at which the MVHR will boost.

- **Summer Bypass** – shall be opened via the MRXBOX-VSC manually for a set time (adjustable) after which time the MVHR system will return to normal function.
- **Time** – shall be adjusted and set via the MRXBOX-VSC if required.

MAINTENANCE

- **Filter maintenance** – when filter replacement is required a symbol will appear on the home screen. Under the Maintenance tab a QR code appears which offers a direct link to the Nuair e-commerce site where filters can be purchased online.
- **User Guides** – shall be available via a QR code and web link displayed on the VSC if it is desirable to read the guides online.
- **Diagnostic** – shall be visible through to MRXBOX-VSC. The diagnostic screen will list out the status of all working components and indicate if there is a fault with a particular component.
- **Run Time** – shall allow the Landlord/Service team (if applicable) to be able to determine how long the MVHR system has been running and identify when the MVHR has not been running.