

MEVAC MULTI POINT EXTRACT

QUIET, MULTI-CONNECTION, LOW DEPTH CENTRAL EXTRACT SYSTEM.



BENEFITS

MEETS BUILDING REGULATIONS

Part F - England & Wales. Scottish technical handbook (BRE398 referenced). Technical booklet K1998.

LOW DEPTH, HIGH PERFORMANCE

Only 190mm deep and up to 95l/s (AC).

QUIETEST SOLUTION

Advanced motor and impeller technology with acoustic lined lid (fully lined case option available) provide one of the quietest options.

QUICK INSTALLATION

Unique locating bracket enables the units to be fixed in any plane, quickly and efficiently at either 1st fix or 2nd fix stage.

EASY MAINTENANCE

Easy to access for optional filters for quick and easy maintenance.

FLEXIBLE SOLUTION

Unit can be fixed horizontally or vertically.

ADDED STRENGTH

ABS moulded case & lid provides longer life and a more robust unit.

ADDITIONAL OPTIONS

Run on timer, humidistat, G2 filter together with a range of round and rectangular spigot and damper kits.

WARRANTY

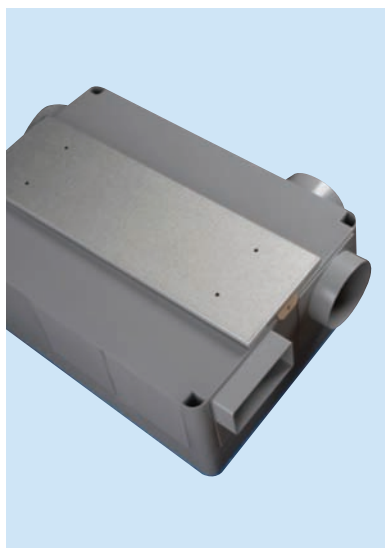
3 year warranty for peace of mind.



Easy access to filter. (Optional).



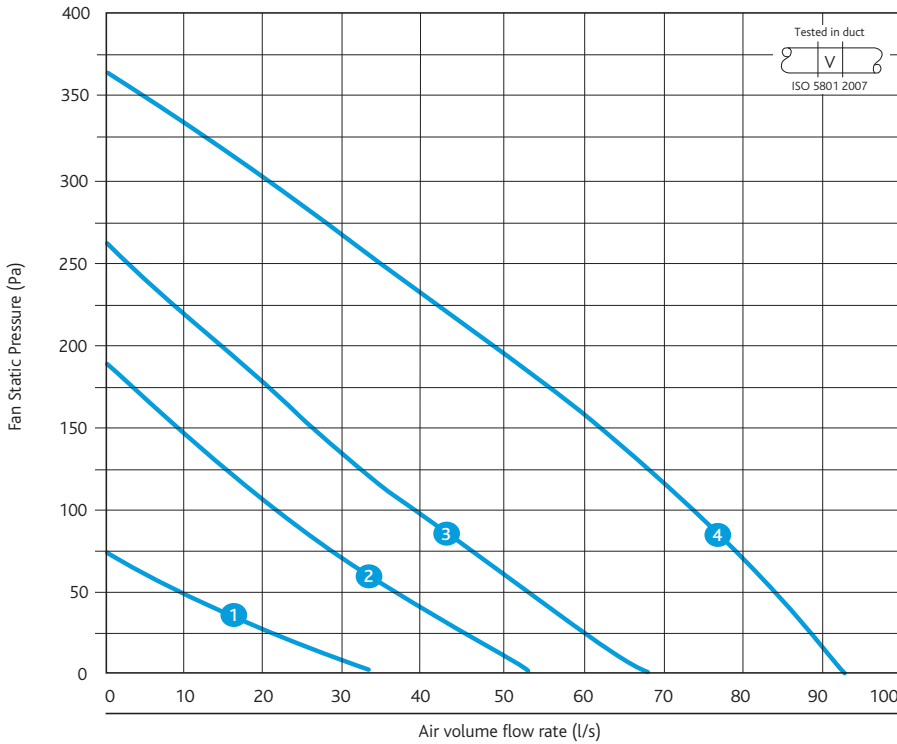
Acoustically lined lid.



Simple fixing bracket.

PERFORMANCE - MEVAC

MEVAC Multi Point Extract



Note: Above are variable speeds, not set speeds.

MEVAC

ELECTRICAL & SOUND

Curve	Power Consumption Watts	FLC Amps	Open inlet sound power levels dB re 1pW								Breakout Noise level dBA@3m
			63	125	250	500	1K	2K	4K	8K	
1	14	0.15	43	37	42	35	32	23	22	26	20
2	26	0.2	46	43	52	45	45	37	27	26	32
3	37	0.22	41	40	57	51	51	43	35	28	37
4	59	0.25	45	45	66	58	59	51	45	37	45

Note: above sound level figures are for lid lined unit only. Unit has a soft start feature as standard therefore the starting current is the same as the full load current. Please note step curves are for information purposes only and are not individual units. (The units has 4 speeds and uses, 2 from 4 speeds (default speeds are 1 and 3). Optional 6S model). Note: dBA figures are calculated based on hemi-spherical propagation. The electrical and sound information in the above table is nominal.

PRODUCT FEATURES

Code	MEVAC
Features:	
AC motor	●
2 speed (fixed)	●
Mounting brackets	●
Acoustic lined lid	●

Note – unless spigot kit is specified, a default kit comprising of 4x100 & 2x125mm spigots will be included.

OPTIONAL EXTRAS

Optional extras:	Code	MEVAC
Adjustable speed option	6S	●
Run on timer	R	●
G2 filter	G2	●
*G4 filter (for MEV-SVS application)	G4	●
Acoustic lining (full case)	L	●

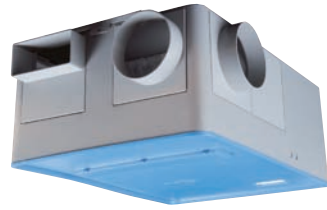
*Please refer to page 2.10

Spigot/damper kits (Choose from S1-D4)

Kit 1 - 4 x 100 circular & 2 x 125 circular spigots	S1	●
Kit 2 - 6 x rectangular spigots 110 x 54mm	S2	●
Kit 3 - 6 x rectangular dampers 110 x 54mm	D3	●
Kit 4 - 4 x 100 & 2 x 125 circular damper	D4	●

Note – unless spigot kit is specified, a default kit comprising of 4 x 100 and 2 x 125mm spigots will be included.

Casing



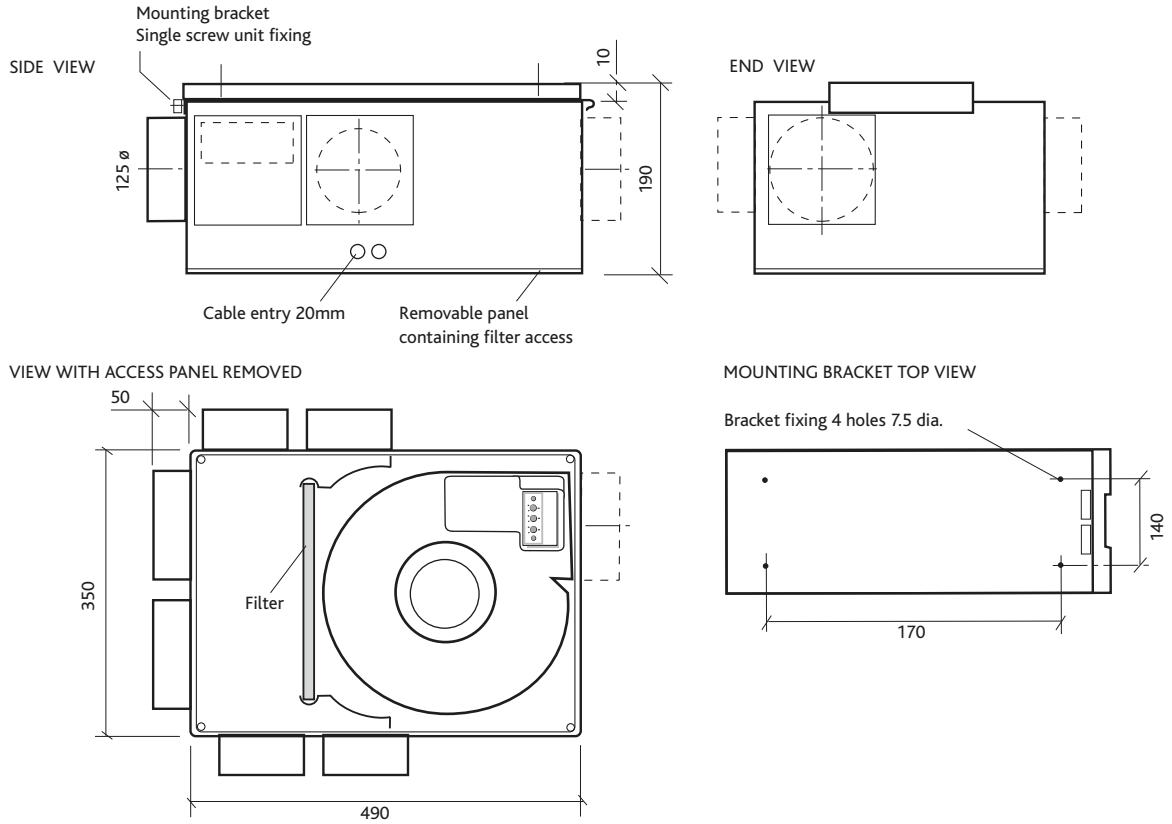
Code description (example)

MEVAC - 6S R G2 S2

1 2 3 4 5

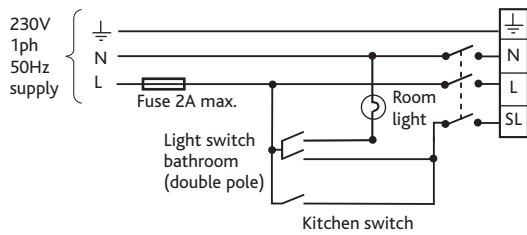
1. AC motor type
2. Adjustable speed (optional)
3. Run on timer (optional)
4. G2 Filter (optional)
5. S2 Spigot kit (optional)

DIMENSIONS (MM) - MEVAC

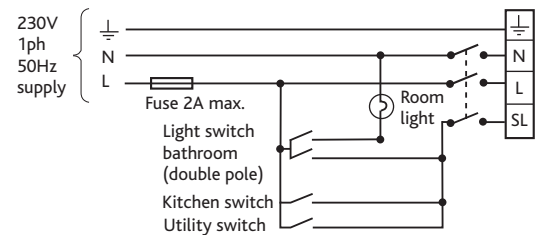


WIRING - MEVAC

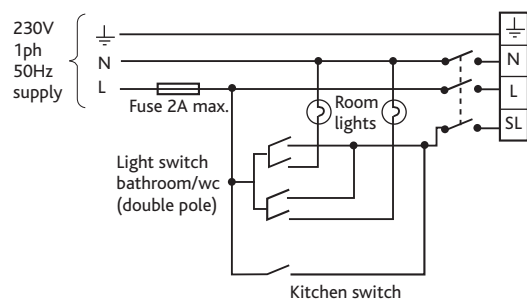
Unit Serving Kitchen and Bathroom



Unit Serving Kitchen and Utility and Bathroom



Unit Serving Kitchen and two Bathrooms



CONSULTANTS SPECIFICATION

MEVAC UNIT

The unit shall be designed specifically for incorporation within a system designed to comply with the requirements of Part F Building Regs. Ducting and grilles forming part of the system are specified elsewhere.

The unit shall be manufactured by a BSI Registered Firm with ISO 9000 certification. The unit's casing shall be of ABS, Moulded plastic with a part lined lid of high density class "O" flame retardant acoustic insulation designed to limit noise breakout from the unit to a maximum of 45dBA (AC model) - hemispherical radiation.

The unit shall incorporate a low profile single point mounting bracket for horizontal or vertical mounting of the unit. When installed the unit shall not project any more than 190mm from the surface onto which it is installed.

Air discharge from the unit shall be via a 125mm diameter tapered spigot for easy connection to ducting. The unit shall be capable of multiple air inlets formatting. The unit casing shall have the facility to allow the connection, via tapered air inlet spigots supplied with the unit, of up to 4 No. 100 mm diameter and 2 No. 125mm diameter air inlet ducts.

The unit shall incorporate a quick release, access panel for easy maintenance if filter is fitted.

The AC version should be a capacitor run external rotor motor capable of 2 fixed speeds. 230V 50Hz AC with ball race bearings, greased for life. It shall operate up to an ambient temperature of 40°C and be fitted with a one shot thermal overload protective device.

The impeller should be a centrifugal backward curved type, dynamically balanced mounted directly onto the motor.

The unit shall incorporate electrical connections to allow for the unit's "boost" airflow to be triggered by a switched live signal.

The MEVAC unit shall be offered with a 3 year warranty.