



COOKERHOODC-SS

High Performance Extract Fan

Installation and Maintenance

1.0 Introduction

The Nuair high performance Cooker Hood Extract Fan has 500m³/hr extraction capacity through a tangential motor. It incorporates a simple push button control to generate speed and lighting.

Noise level: 54 - 62 dB.

Casing shall be manufactured from easy to clean stainless steel.

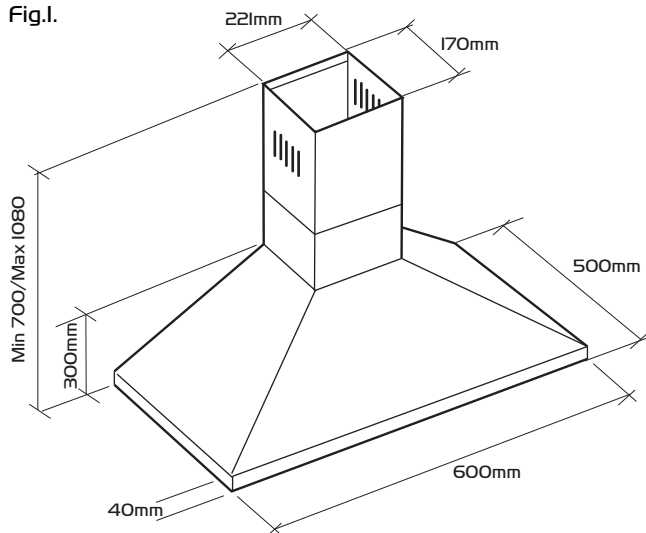
The unit is fitted with two, washable metallic grease filters for quick and easy maintenance.

Code Description appliance: COOKERHOODC-SS

Code Description Carbon filter: CKRH-CF (Pair)

2.0 Dimensions

Fig.1.



Product Dimensions:

Height: 700mm - 1080mm

Width: 600mm

Depth: 500mm

Chimney Section Dimensions:

170mm x 221mm

3.0 Installation

Installation must be carried out by competent personnel conforming to all statutory and governing regulations. Electrical connection should be undertaken by a qualified electrician.

The unit is designed for internal wall mounting (minimum two people) in the vertical plane with the grease filters directly above the cooker hob top/burners and is for domestic use only.

Note: when installing the unit ensure that the following recommended distances are observed between the highest point on the hob top (including the burners) and the bottom of the cooker hood.

Electric cookers 700mm

Gas cookers 700mm

Coal/oil cookers 800mm

If the unit is installed for use above a gas appliance then the provision for ventilation must be in accordance with the Gas Safety Codes of Practice BS.6172, BS.5440 & BS.6891 (Natural Gas) and BS.5482 (LP Gas) 1994, the Gas Safety (Installation and Use) Regulations, the Building Regulations issued by Department of the Environment, the Building Standards (Scotland) (Consolidated) Regulations issued by the Scottish Development Department.

Do not alter or modify the specifications of this product in any way.

IMPORTANT

Isolation - Before commencing work on the hood, including replacing light bulbs make sure that the unit has been disconnected from the power supply.

3.1 Installation of the unit (general)

- When installed between adjoining wall cabinets, the cabinets must not overhang the hob.
- The edges of the cooker hood are sharp - so handle the unit with care, especially during installation and cleaning **Do not clean in behind the grease filters.**
- If the room where the cooker hood is to be used contains a fuel burning appliance such as a central heating boiler then its flue must be of the sealed or balanced flue type. If other types of flue or appliances are fitted, ensure that there is an adequate supply of air in the room.
- To ensure high extraction efficiency of the hood ensure that the ducting is fire retardant and bends are no more than 90 degrees. Also ensure the ducting for the extractor function has the same diameter as the outlet hole all the way through.
- The cooker hood should not be exposed to a direct heat source from the cooking device under it i.e. a naked flame from a gas burner or heat from electric hobs without a pan on them.
- Lights on the appliance should only be left on when using the unit.

3.2 Installation of the unit

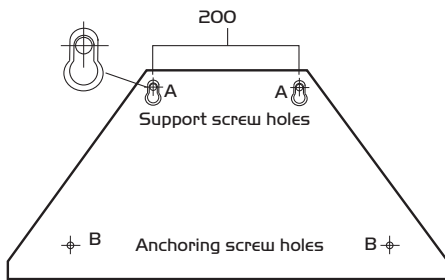
IMPORTANT

Before installation ensure the voltage (V) and frequency (Hz) indicated on the rating plate are exactly the same as the voltage and frequency of the home. The rating plate is on inside of the hood behind the grease filters. Connect the unit to the mains supply after the rest of the installation process has been completed.

Fig. 2. Remove the metal grease filters.



Fig. 3. Position the hood against the wall that you intend to install on. Mark the position of the support holes (A) and the anchoring screw holes (B) that are to be drilled as shown below.

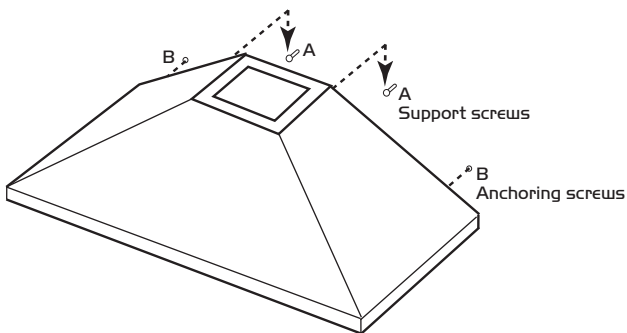


Using a drill bit with a 8mm dia. make holes in the wall on the positions marked.

Insert rawl plugs into all the holes.

Fasten the support screws half way in, so they protrude 10mm out of the wall.

Fig. 4. Hang the hood onto the support screws as show below.



Fully tighten the support screws (A) and then screw the anchoring screws (B) through the relevant holes in the cooker hood into the wall and fully tighten.

Connecting to external ducting

Fig. 5. Connect the coupling to the top of the cooker hood, and then connect a 125mm ducting hose (by others) to the coupling.

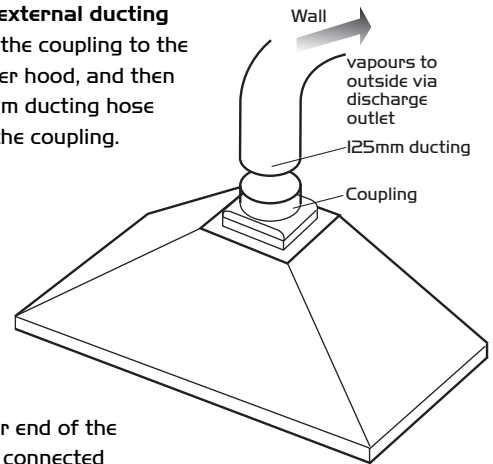
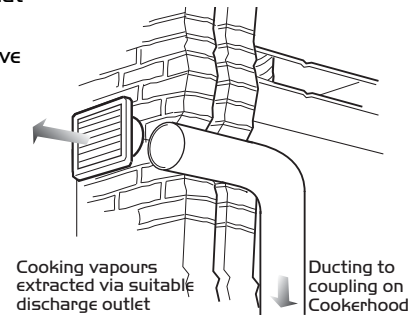


Fig. 6. The other end of the hose should be connected to a discharge outlet that is suitable for cooking vapours and should have a cross section of at least 150cm². The maximum distance between the coupling and the discharge outlet should be 3 metres, with one 90 degree bend.



3.3 Fitting the two part chimney

Fig. 6. Take the two chimney sections C and D.

Rest the bottom of section C on the top of the hood taking care to position the tabs on the chimney section into the rear of the hood. Mark the side measurement of both sides of chimney section C onto the wall with a pencil.

Fig. 7. Lift chimney section D up until it reaches the ceiling. Ensure that it is perpendicular with the hood and chimney section C. Mark the side measurement of both sides of chimney section D onto the wall with a pencil and then remove section D Fig. 7b.

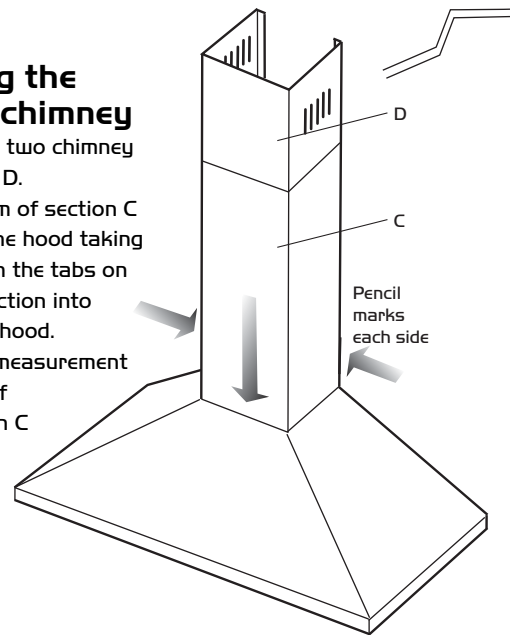


Fig. 7. Lift chimney section D up until it reaches the ceiling.

Ensure that it is perpendicular with the hood and chimney section C. Mark the side measurement of both sides of chimney section D onto the wall with a pencil and then remove section D Fig. 7b.

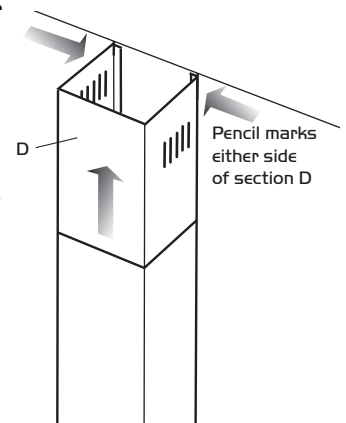
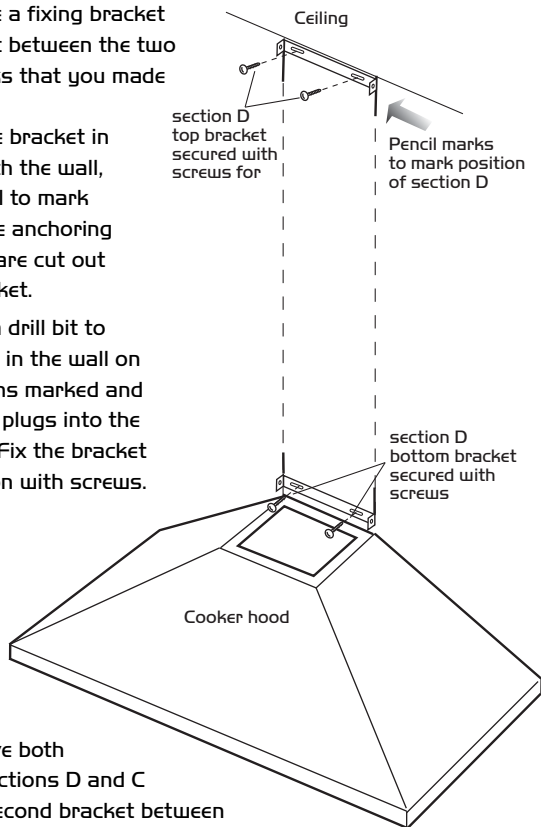


Fig. 8. Take a fixing bracket and place it between the two pencil marks that you made in Fig. 7.

Keeping the bracket in contact with the wall, use a pencil to mark through the anchoring holes that are cut out of the bracket.

Use a 8mm drill bit to make holes in the wall on the positions marked and insert rawl plugs into the two holes. Fix the bracket into position with screws.

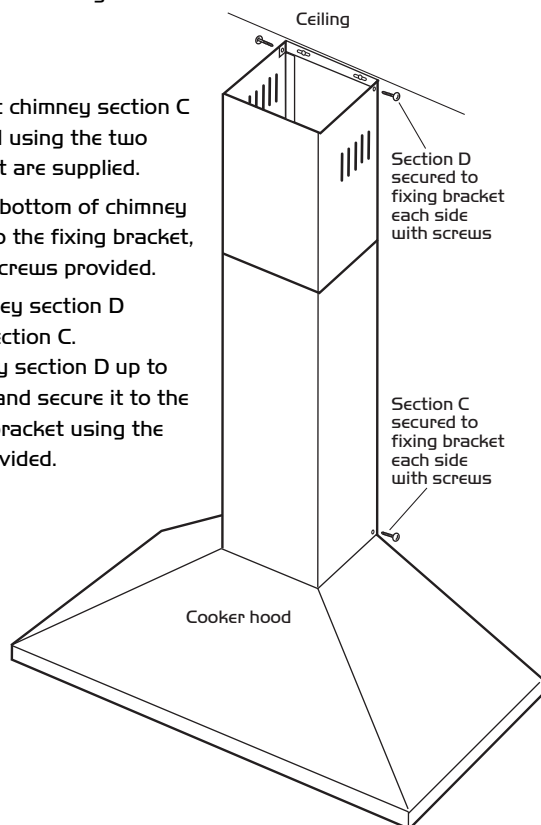


Now remove both chimney sections D and C and fix a second bracket between the two pencil marks that were made either side of chimney section C.

Fig. 9. Refit chimney section C to the hood using the two screws that are supplied.

Secure the bottom of chimney section C to the fixing bracket, using the screws provided.

Slide chimney section D inside of section C. Lift chimney section D up to the ceiling and secure it to the top fixing bracket using the screws provided.



3.4 Electrical connection

This cooker hood is intended for fitted and permanent installation.

The cooker hood's power cable must be fitted upstream from the electrical connection, using an omni-polar switch with a contact distance of at least 3 mm.

The fuse must be rated at 3 amps.

We recommend that the appliance is connected by a qualified electrician, who is a member of the N.I.C.E.I.C. and who will comply with the I.E.E. and local regulations. The wires in the mains lead are coloured in accordance with the following UK code:

Blue = Neutral, Brown = Live, Green/Yellow = Ground

If you only find two wires in the main's lead (blue and brown), then neither must be connected to the earth terminal.

As the colours of the wires in the appliance's mains lead may not correspond with the coloured markings identifying the terminals in your spur box, please proceed as follows:

The blue wire must be connected to the terminal marked "N" (neutral), or coloured black.

The brown wire must be connected to the terminal marked "L" (live), or coloured red.

IMPORTANT

Before installation ensure the voltage (V) and frequency (Hz) indicated on the rating plate are exactly the same as the voltage and frequency of the home. The rating plate is on inside of the hood behind the grease filters. Connect the unit to the mains supply after the rest of the installation process has been completed.

3.5 Completing the installation

If you are setting the appliance to recirculation mode, then you should now fit the two carbon filters. See the fitting of "Carbon Filters" section on page 4.

The electrical connection must correspond to the electrical requirement noted on the rating plate, which is placed inside the cooker hood. The appliance should now be connected to the electrical supply. See 3.4 above for detailed information on the electrical connection.

Refit the grease filter and then switch on the mains supply to the appliance. Check that the appliance is operating correctly by selecting each speed and switching the light bulbs on and off.

IMPORTANT

WARNING: THIS APPLIANCE MUST BE EARTHED. It should only be connected by a qualified electrician, using fixed wiring via a double pole switched fused spur outlet. (UK ONLY).

3.6 Extraction or circulation mode?

To get optimum performance from your cooker, the air will be taken out of the room via external ducting.

Unfortunately if you live in a flat or the hood is too far from an outside wall, this may not be possible. The only alternative is to recirculate the air.

In recirculation mode stale air is taken via the grease filter, and passed through a charcoal filter for purification. The air then re-enters the kitchen via an opening in the hood.

What is a carbon filter and do I need one?

All cooker hoods have a grease filter but if you are using your cooker hood in recirculation mode, then a carbon filter must be fitted in addition to the grease filter.

3.7 Fitting the carbon filter

If the appliance is being used to be used in recirculation mode then it is necessary to fit carbon filters. This will help to absorb unpleasant odours caused by cooking.

IMPORTANT

WARNING: Before attempting to fit or remove the carbon filters, you must ensure that you have disconnected the cooker hood from your mains supply.



Fig. 10. Remove the grease filters.



Fig. 11. Hook the carbon filter over the pins that are located at the end of the motor.



Fig. 12. Turn the carbon filter anticlockwise, until you feel it click into place.

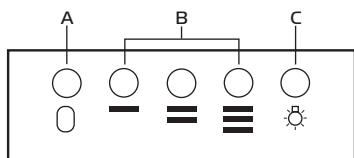
Repeat this process for the second carbon filter. You need to place a carbon filter at either end of the motor. Refit the grease filters. The carbon filters should be replaced every three months or if they show signs of damage.

4.0 Using the cooker hood

Important: this process must be followed before the cooker hood is used for the first time.

- You should use a good quality stainless steel cleaner on ALL of the stainless steel areas of your cooker hood, before it is used for the first time.
- This will help to leave a silicone water-resistant film to protect the stainless steel surfaces.

Fig. 13. How to use the cooker hood control panel:



- Find the control panel, which is located at the front right of the canopy.
- There are several buttons on the control panel, which perform separate functions.
- A = ON/OFF button
- B = Speed selection buttons
 - Low speed
 - ≡ Medium speed
 - ≡≡ High speed
- C = Light on/off button

5.0 Cleaning your cooker hood

Important: before cleaning, always ensure that you have switched your cooker hood off at the omni-polar switch, set at the wall from the cable.

- Clean the external parts of your cooker hood with mild liquid detergent and a new damp cloth.
- Never use abrasive powder, corrosive solvents or brushes.
- Never insert pointed objects into the motor's protective grid.
- Only clean the control panel and grease filter grill with mild liquid detergents and a new damp cloth.
- If you are using the appliance in recirculation mode, then be sure to replace the carbon filter at the recommended interval (see section opposite on "Fitting the carbon filter"). A build up of grease could cause a fire hazard.
- Never attempt to clean the area above the grease filters.

6.0 Removing and cleaning the grease filters

First remove the grease filters by pulling down on the handle and pulling them away from the cooker hood.

- Soak the grease filter in hot water and washing up liquid for about an hour.
- Rinse them off thoroughly with hot water.
- Repeat the process if required.
- Refit the grease filters once they have dried.
- **IMPORTANT:** Let the grease filters dry thoroughly before refitting them in the cooker hood.

7.0 Changing a light bulb

Important: before attempting to change a light bulb, you must ensure that you have disconnected the cooker hood from your mains supply.

- Remove the grease filters.
- Prior to touching the light bulbs ensure they are cool.
- Find the bulb that requires replacement in the light fixture which is inside the exposed section of the canopy.
- Unscrew the light bulb that needs to be replaced and insert a new E14 40W (max) bulb.
- Defective bulbs should be replaced immediately.
- If the lights still do not work, make sure that the lamps are fitted properly into their housings before you call for technical assistance.
- Refit the grease filters.

8.0 Warranty

The 2 year warranty starts from the day of delivery and includes parts only.

9.0 Service Enquiries

Our service department will be happy to provide any assistance required, initially by telephone and If necessary arrange for an engineer to call.

**Customer Services Department
on 08705 002 555**