

Drimaster Filter Kit

For Drimaster Models Post 2001
(Part No. 775631)

Installation Guide

nuaire
Group

CE

Please note: this filter kit is only suitable for Drimaster models manufactured post 2001, as units manufactured after this date incorporate built in retaining clips to hold the filters. (See figure 2).

Figure 1. Filter kit not suitable for Pre 2001 model.

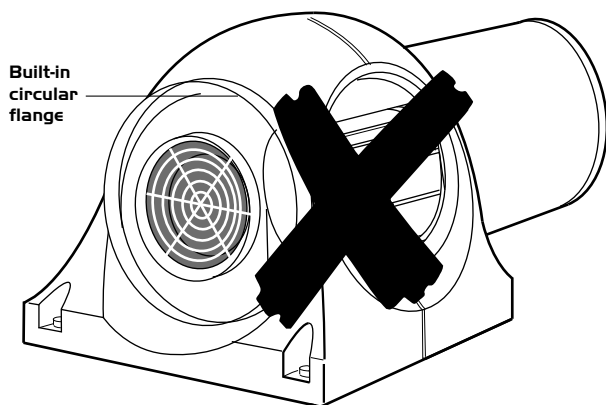


Figure 2. Post 2001 model with filter retaining clips.

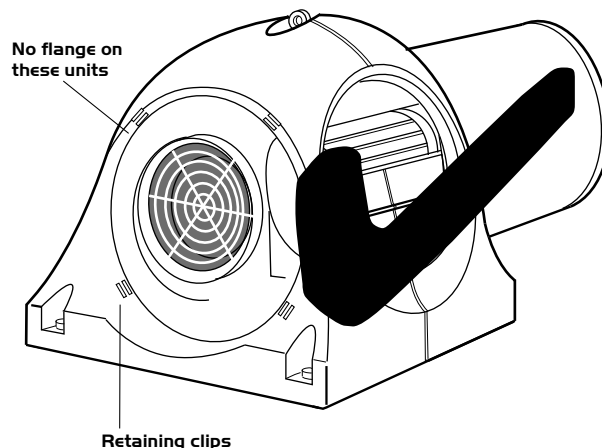


Figure 3.

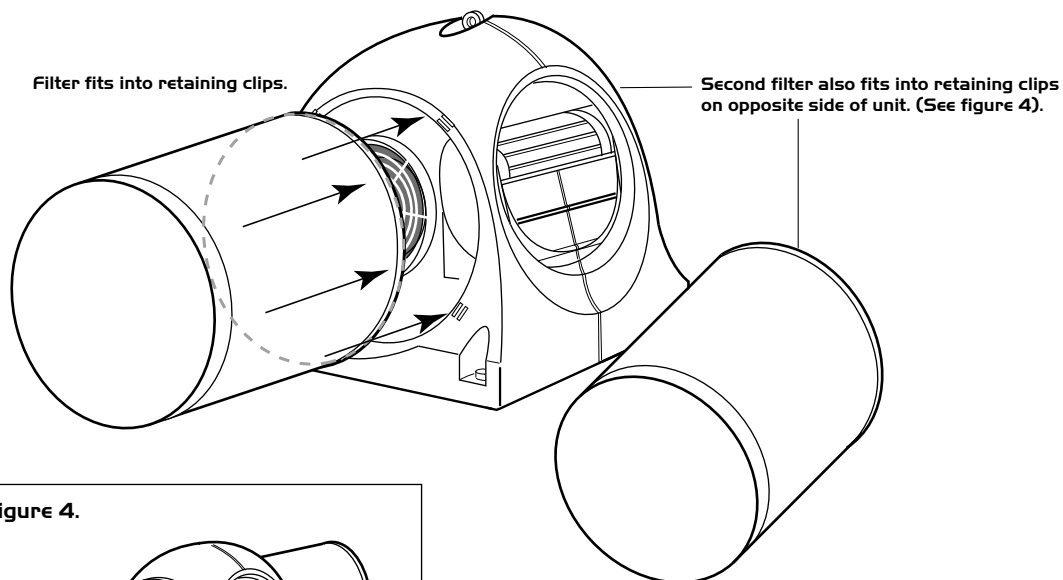
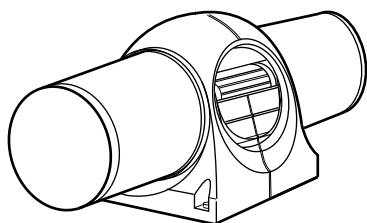


Figure 4.



For further information contact:

Customer Services Department
on 02920 858 585