

ECO Dri Heater

For use with Drimaster, PIV and derivative Ventilation Units

Installation Guide

ECO Dri Heater

Designed to operate with the Nuair range of Drimaster 365 and derivative ventilation units.

Installation in Drimaster and Drimaster 2000

Installation must be completed by competent persons, in accordance with good industry practice and the provision of the electrical supply and the connection of the unit to the mains must be carried out by a qualified electrician.

1. To install the heater temporarily remove the flexible ducting from the Drimaster.

2. Remove the top casing screw in the Drimaster in order to open/part the casing sides. (see Figure 2).

3. Note the location slots at the end of the circular heater assembly and offer this end into the open circular aperture in Drimaster. Locate the duct slots behind the units internal vertical side mouldings and ensure plate goes under clip on fan outlet.

4. Close the casing, replace and tighten the screw clamping the heater in position.

5. Using the nylon tie supplied, re-connect the flexible ducting and the unit filters.

Installation in the Drimaster 365 unit

Fit the end of the circular heater assembly inside the spigot on the Drimaster 365 casing. Ensure heater is horizontal and drill three holes. Secure with screws.

Figure 2. Drimaster Unit

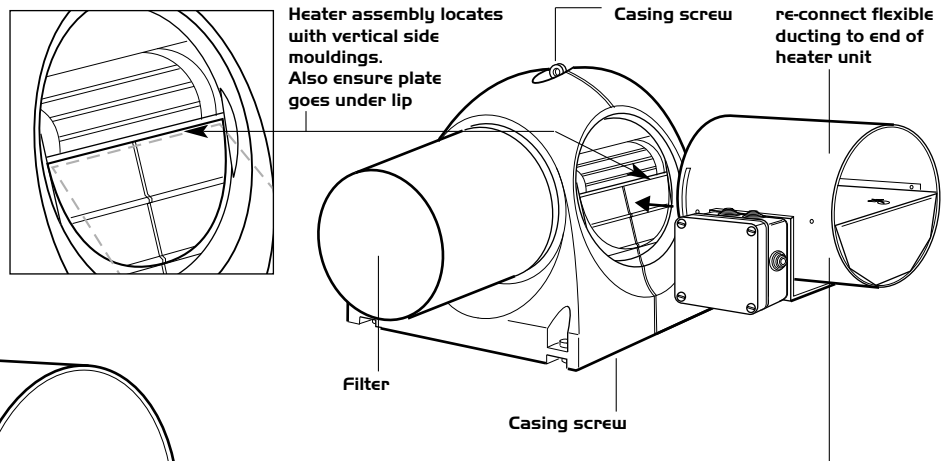


Figure 1. ECO Dri Heater unit

Location slots

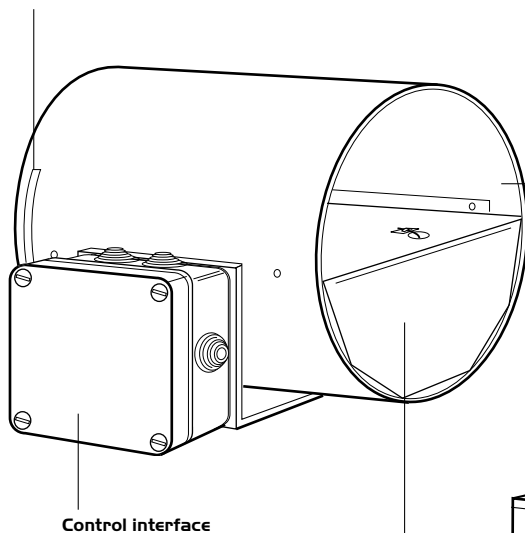
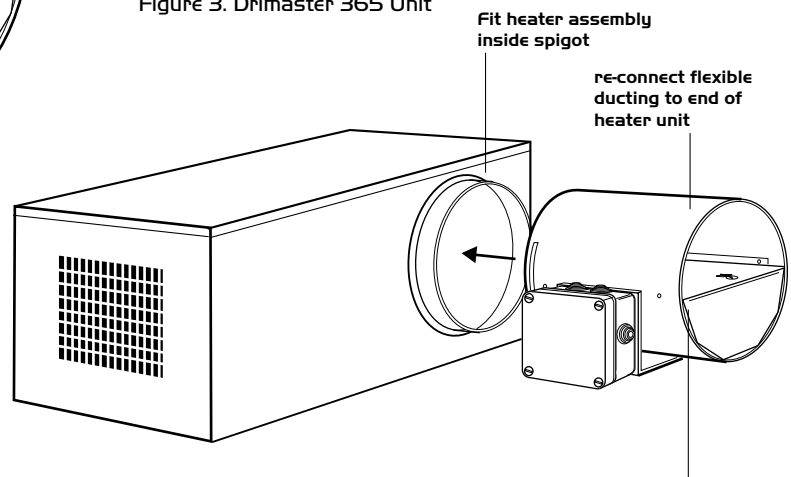


Figure 3. Drimaster 365 Unit

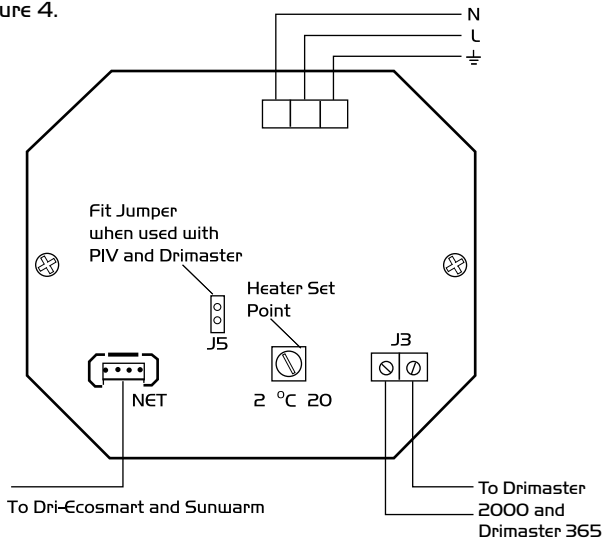


Adjusting the Temperature Set Point

The occupier will normally require the heater to activate when the loft temperature falls below a predetermined point. We recommend that the temperature set point be set at 10°C.

Electrical Connection

Figure 4.



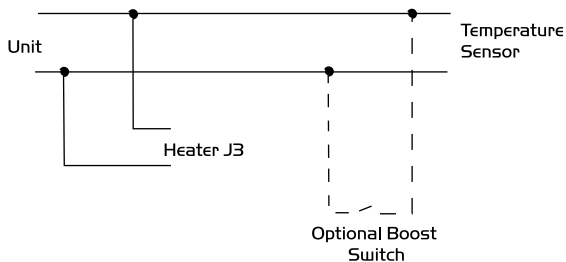
The heater is rated at 500 watts and should be connected to a suitably rated power supply via a switched fused spur (by others).

Remove the cover and connect mains to L/N/E as shown in figure 4.

Communication Connection

- a) **Drimaster link** - should be fitted at J5. Figure 4.
- b) For **Drimaster 2000 and Drimaster 365** - wire sensor cable to terminal J3 on heater. See figure 5.

Figure 5.



- c) **Dri-Ecosmart and Sunwarm** - connect heater net connector to any of the four net connections on the main unit control. See figure 4.

IMPORTANT

Ensure the fan is running before operating the heater.
If the heater should trip out the power should be isolated for several minutes to allow the unit to reset the thermal trip.

Maintenance

The unit does not require any maintenance. However, for optimum performance, it is advisable to remove any accumulated dust with a low power vacuum cleaner.

NOTE: Installation and Maintenance of the equipment must be as directed in the instructions provided with the unit.

Warranty

The 3 year warranty starts from the day of delivery and includes parts and labour for the first year. The remaining 2 years covers replacement parts only. This warranty is conditional on planned maintenance being undertaken.

Service Enquiries

Nuaire can assist you in all aspects of service. Our service department will be happy to provide any assistance required, initially by telephone and if necessary arrange for an engineer to call.

Telephone 029 2085 8585
Fax 029 2085 8586